

4

3

2

1

THIS DRAWING IS UNPUBLISHED.

RELEASED FOR PUBLICATION

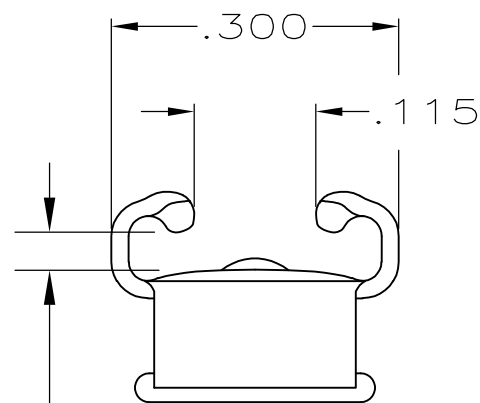
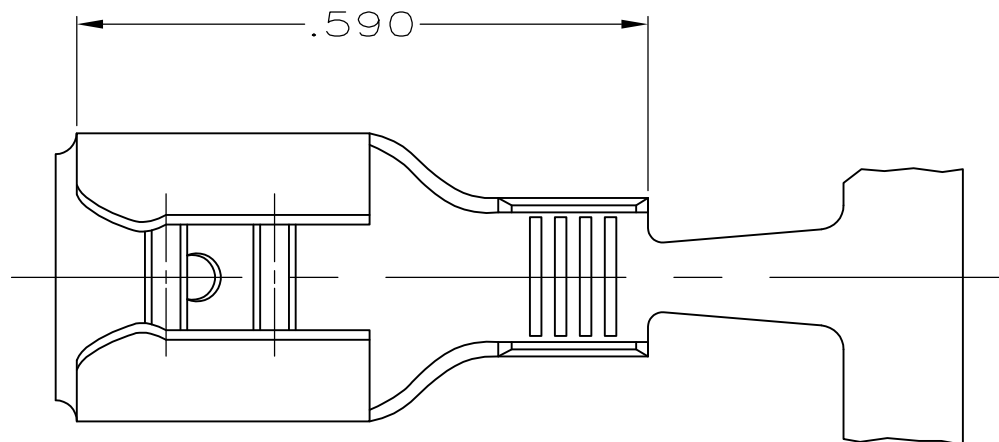
© COPYRIGHT - BY TYCO ELECTRONICS CORPORATION. ALL RIGHTS RESERVED.

LOC AF DIST 50

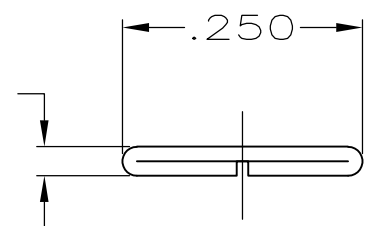
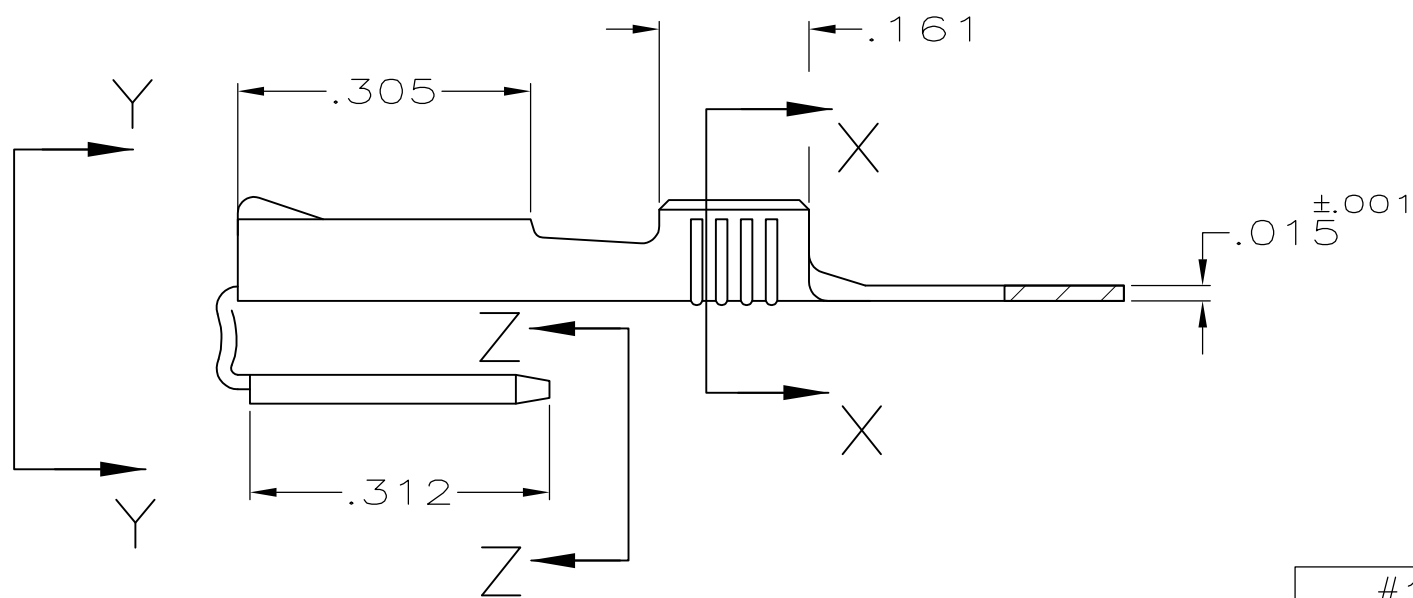
REVISIONS

P	LTR	DESCRIPTION	DATE	DWN	APVD
	E1	REVISED PER ECR-07-018043	09AUG07	HMR	PD

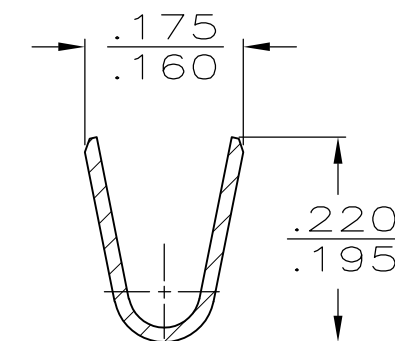
1 CONTINUOUS STRIP ON REELS



FITS .250 SERIES FASTON TABS
VIEW Y-Y



VIEW Z-Z



SECTION X-X

#14-#10 AWG - 9600 CMA MAX	.032	62068-1
WIRE SIZE	MATING TAB THK ±.001	PART NO.

THIS DRAWING IS A CONTROLLED DOCUMENT.		DWN JR RUTH 4/11/91	Tyco Electronics Corporation Harrisburg, PA 17105-3608	
DIMENSIONS: INCHES		CHK MS FEHER 4/11/91		
TOLERANCES UNLESS OTHERWISE SPECIFIED:		APVD C MEYERS 4/11/91	NAME	
0 PLC ± - 1 PLC ± - 2 PLC ± - 3 PLC ± .015 4 PLC ± - ANGLES ± -		PRODUCT SPEC	RECEPTACLE, PIGGYBACK, FASTON, .250 SERIES	
MATERIAL #4H BRASS		FINISH PRE-TIN	APPLICATION SPEC	RESTRICTED TO
		WEIGHT -	SIZE A3	CAGE CODE 00779
			DRAWING NO C-62068	REV E1
		CUSTOMER DRAWING	SCALE 5:1	SHEET 1 OF 1